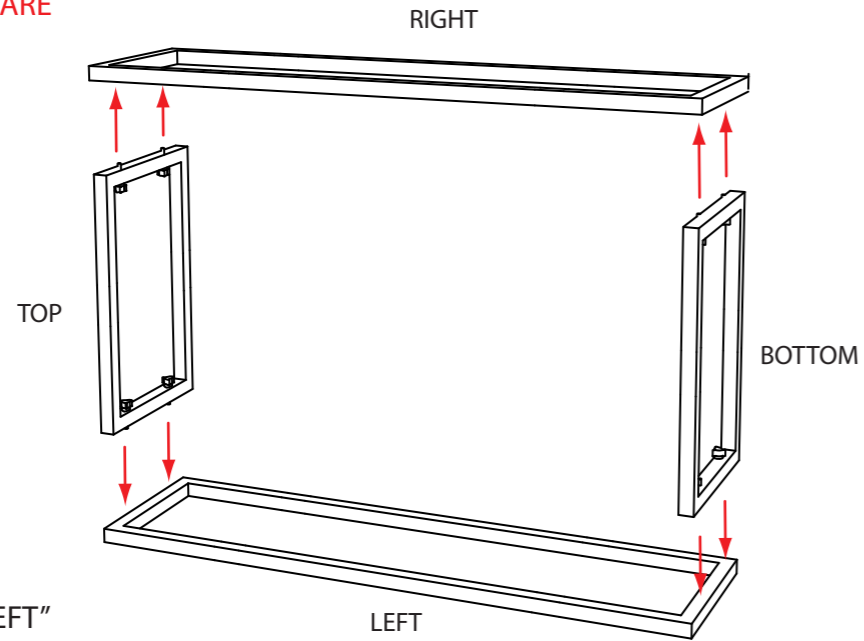
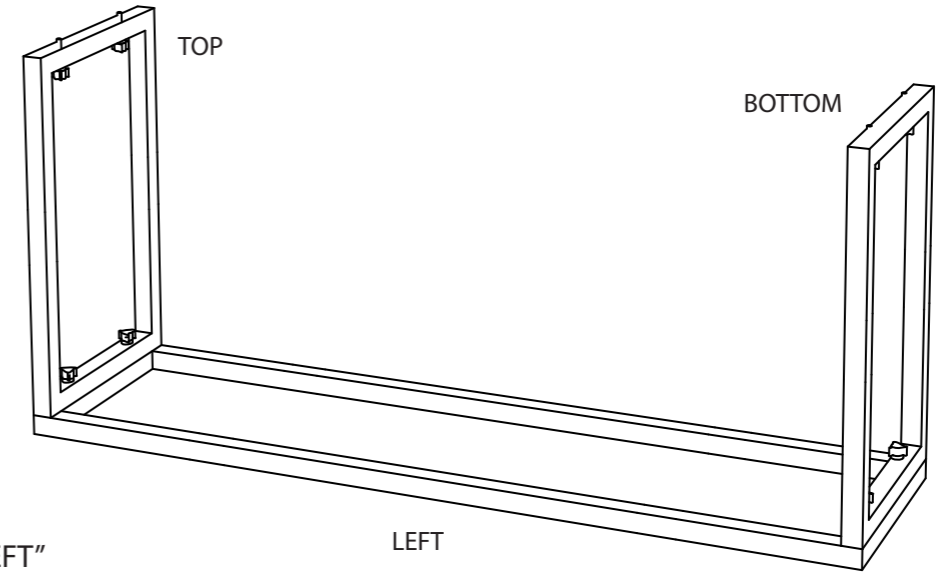


HALF-SINGLE TOWER ASSEMBLY

* ALL CONNECTION POINTS ARE NUMERICALLY AND COLOR COORDINATED.

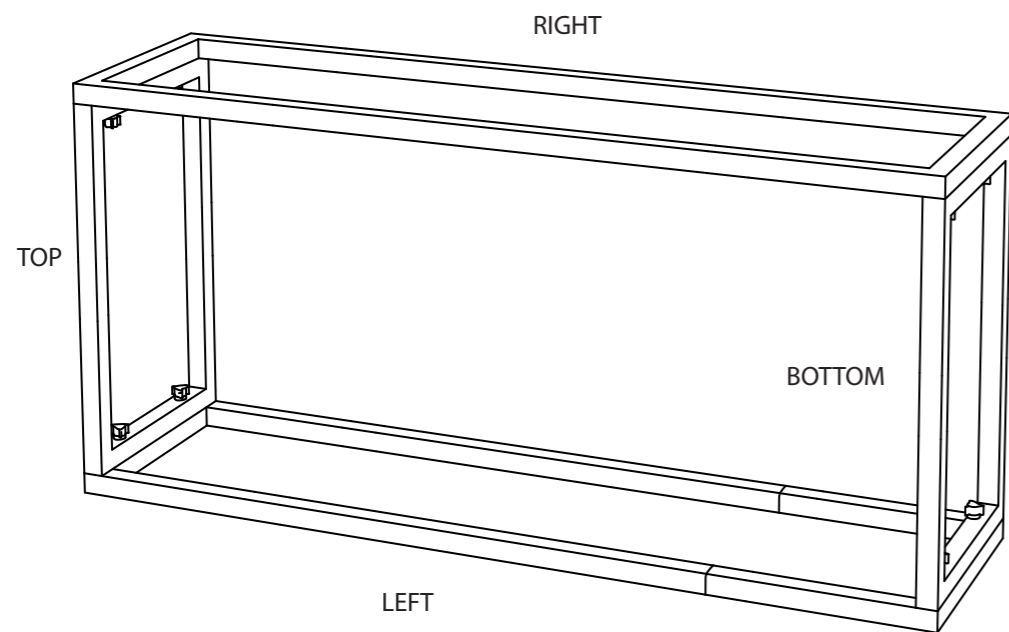


1. LIE PART LABELED "LEFT" ON THE GROUND WITH THREADED INSERTS FACING UP.



2. ATTACH CROSS PIECES TO THE "LEFT" SIDE USING THUMB SCREWS. PARTS ARE LABELED (TOP AND BOTTOM).

3. LIE PART LABELED "RIGHT" ON TOP OF THE ATTACHED CROSS PIECES AND TIGHTEN THUMB SCREWS.



4. SLOWLY STAND THE TOWER AND MOVE INTO ITS DESIRED LOCATION.

