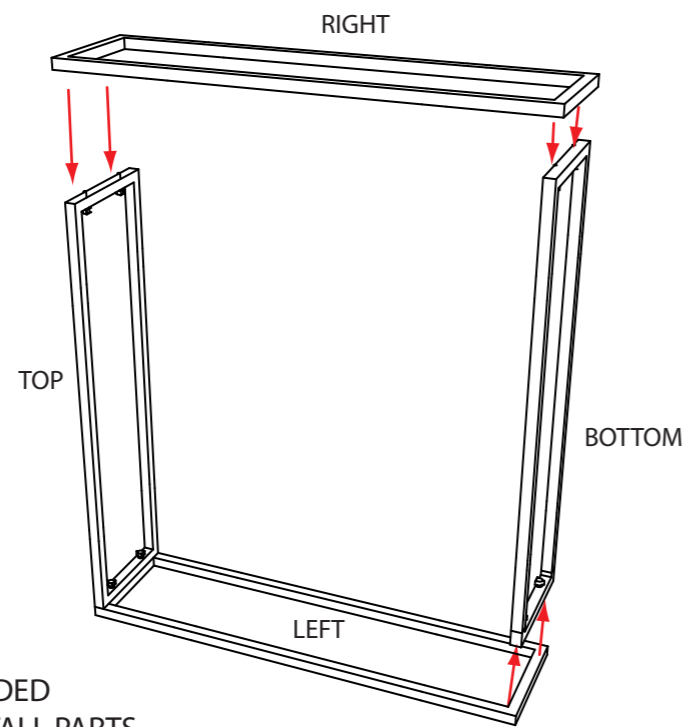
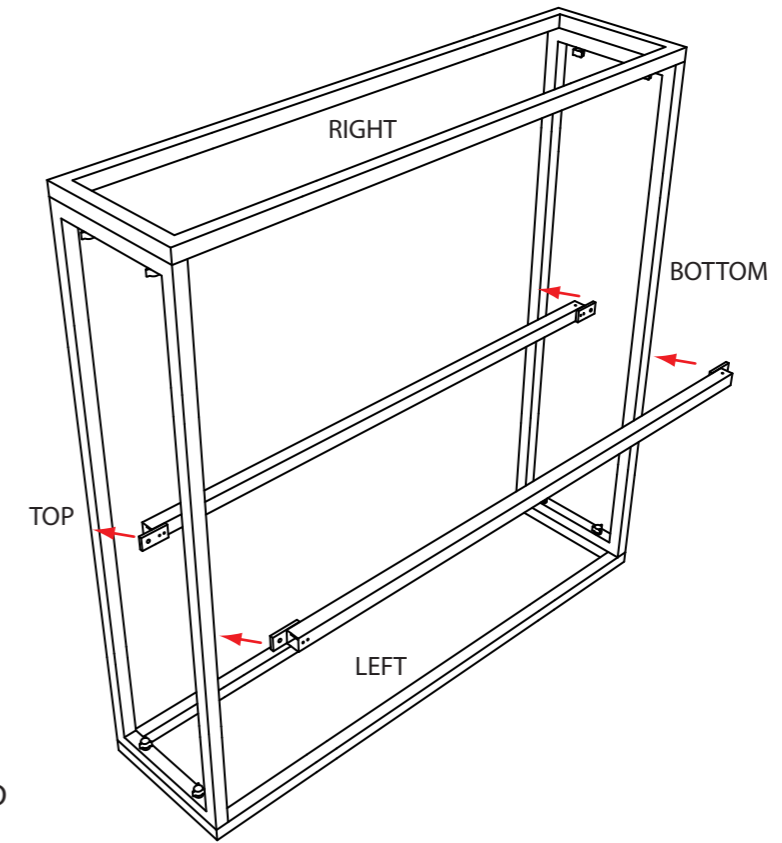


HALF- DOUBLE TOWER ASSEMBLY

\* ALL CONNECTION POINTS ARE NUMERICALLY AND COLOR COORDINATED.

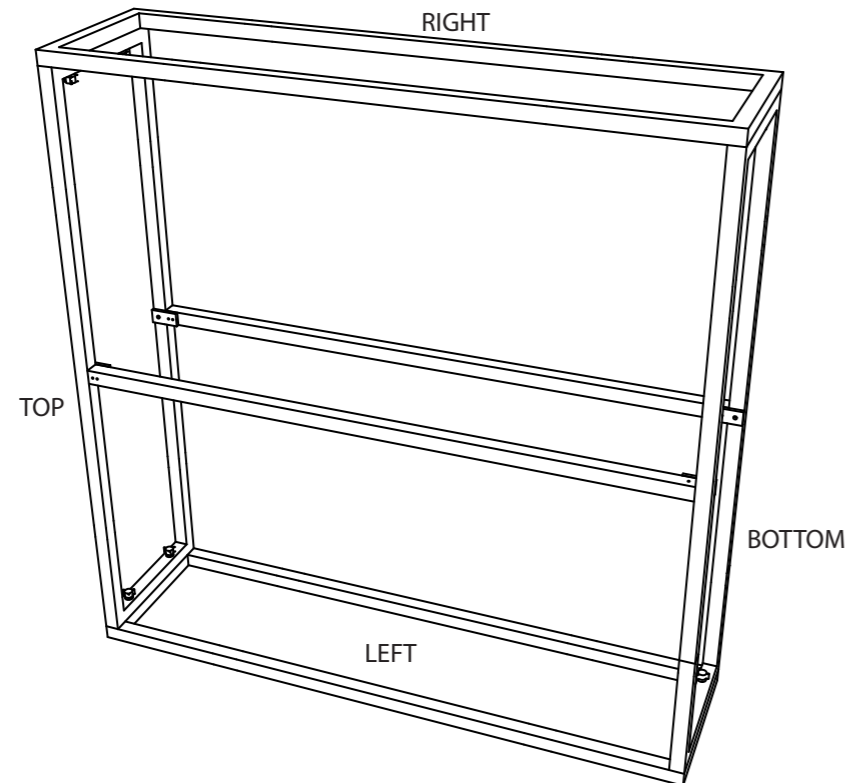


1. LIE PART LABELED "LEFT" ON THE GROUND WITH THREADED INSERTS FACING UP. THEN INSTALL PARTS LABELED TOP AND BOTTOM.



2. ATTACH CROSS PIECES TO THE "TOP AND BOTTOM USING THUMB SCREWS.

3. LIE PART LABELED "RIGHT" ON TOP OF THE ATTACHED CROSS PIECES AND TIGHTEN THUMB SCREWS.



4. SLOWLY STAND THE TOWER AND MOVE INTO ITS DESIRED LOCATION.

