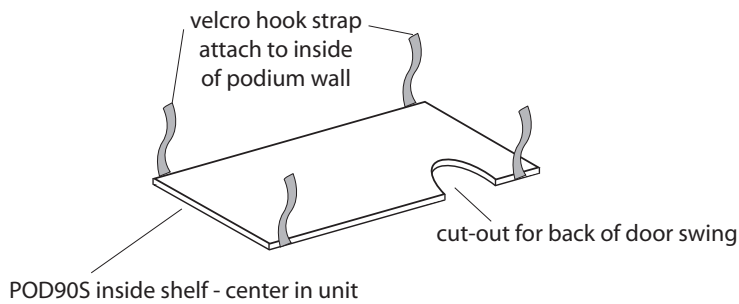
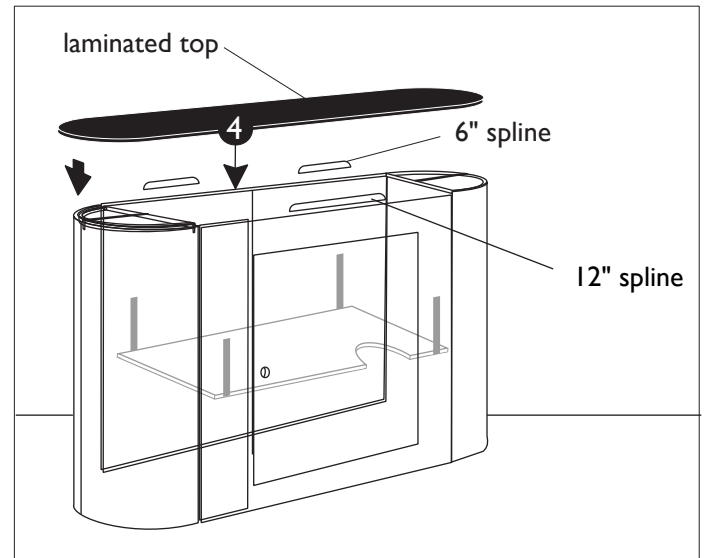
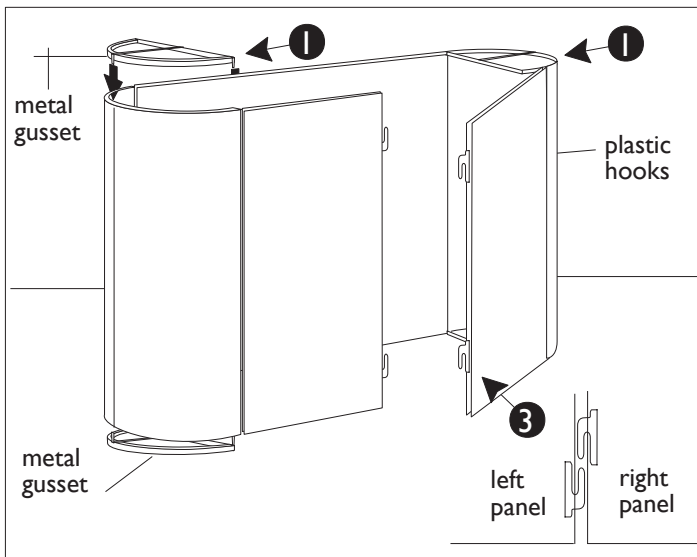


1. Form curved ends of the bottom side of the podium using two of the aluminum gussets. Each gusset has three metal hooks that insert into fabric-covered hinges to hold the flexible panels in a curved position.
2. Flip podium and repeat this process using remaining (2) gussets.
3. Secure the hinged panels (opposite door) using imbedded plastic hooks.
4. Insert (3) clear plastic splines into podium as shown. Place laminated counter top onto podium and adjust until splines insert into grooves on bottom of laminated top.



Assemble podium, then install inside shelf
prior to placing top on unit.

