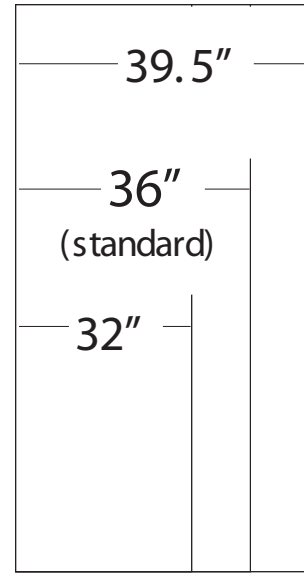
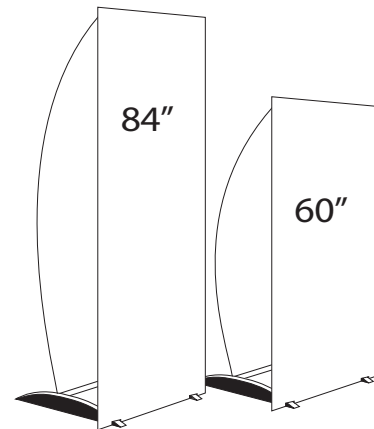


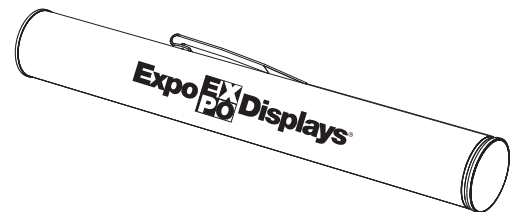
Banner Not Included



Banner Widths
(determined by dowel rod length)



Banner Heights
(both heights possible w/DF100 hardware)



40" X 5" Carrying Case

KIT INCLUDES

- 2 DFA1 tension pole, 37 7/8" lower section
- 2 DFA2 tension pole, 25 1/2" middle section
- 2 DFA3 tension pole, 26 9/16" top section w/clips
- 2 DFA4 curved base section
- 1 DFA5 flat base connector
- 2 DFA36* standard 36 dowel rod
- 1 SC35 nylon carrying case w/shoulder strap

*39.5" (DFA40) or 32" (DFA32) dowel rods may be substituted at no additional cost.

weight: 8 lbs (excluding banner)