

Image area: 86”(h) x 33.125”(w)

Ensure that all text and logos are kept within this area.

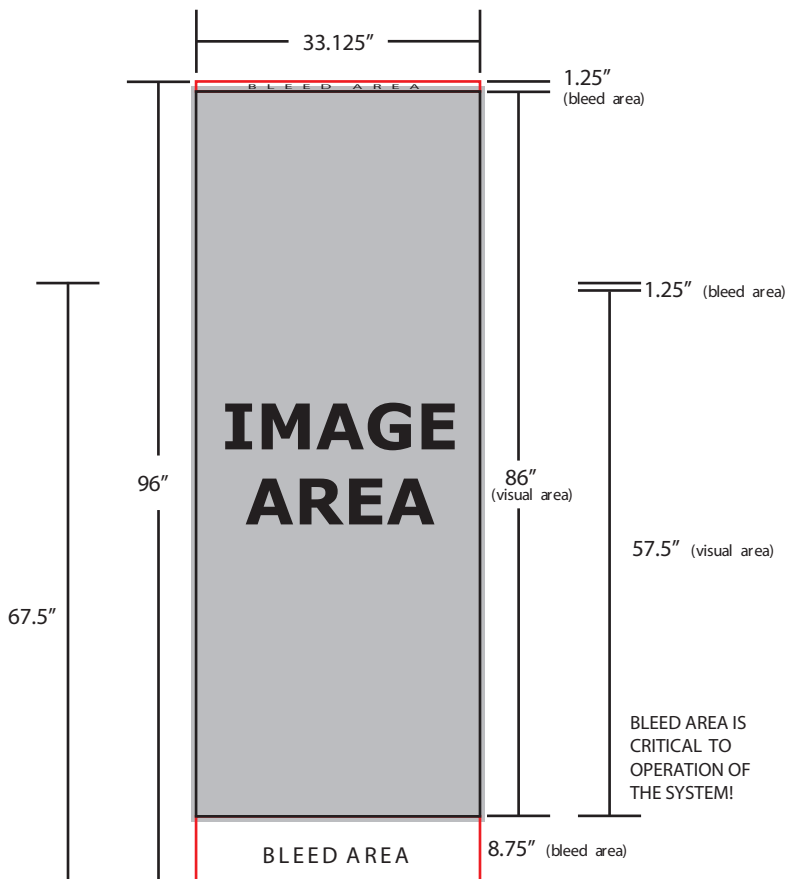
Bleed area(s):

These areas at the top and bottom are required for attaching the graphic to the hardware, and are not visible when erect.

For a clean finish on your display make sure any back ground colors or graphics bleed off into these areas.

Setup:

Make sure all images are at least 100dpi at full size. ExpoGraphics offers full Graphic Design Services if you require assistance in creating your artwork.



Changing the graphic

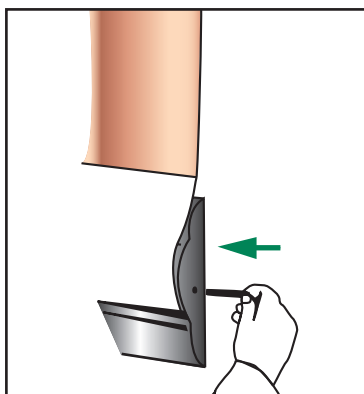
The PVC lead sheet has a two part micro hook and loop tape.

On first graphic application treat as double sided tape and do not separate the two parts.

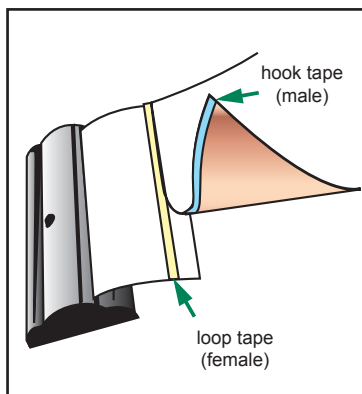
When applying a new graphic, peel existing graphic away from lead sheet leaving the loop on the lead sheet.

Apply new hook tape onto the new graphic and attach to the loop tape on the lead sheet.

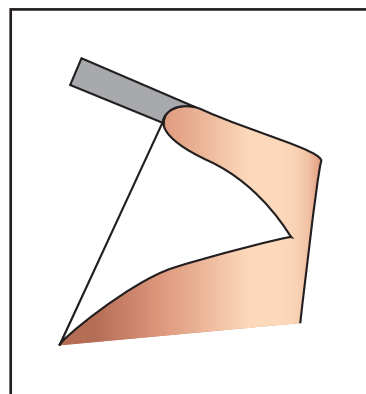
Hook tape is available from your local **EXPO Displays** distributor.



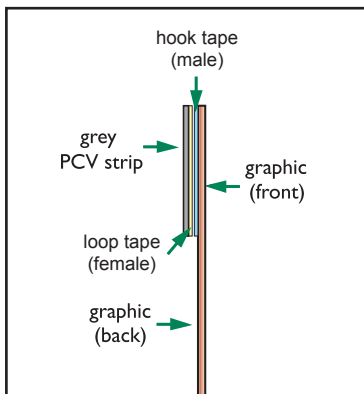
1. Pull the graphic panel completely from the system to expose the PVC tongue and graphic join. Place the pin into the side of the unit when the hole on the roller lines up with the hole in the end cap.



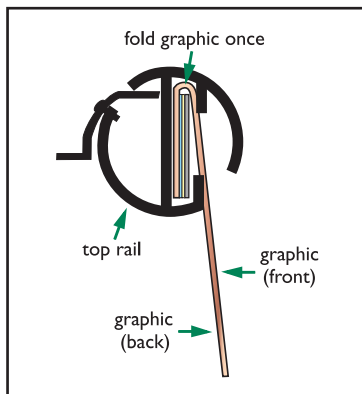
2. Carefully remove the existing graphic panel from the PVC tongue. Add 3/4" of new hook tape (male) to the base of your new graphic panel and then place in the same position.



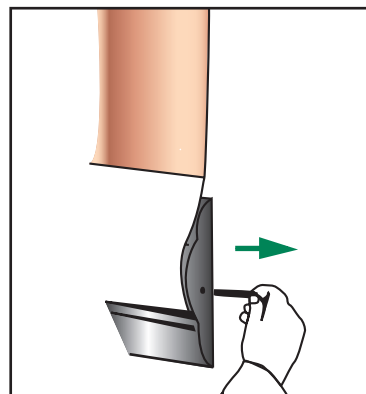
3. Slide the 'Top Rail' off the old graphic panel and then carefully remove the grey PVC strip (leaving loop tape attached) from your print.



4. Add 5/8" hook tape (male) to the top of your new graphic panel and then apply the existing grey PVC strip.



5. Fold the top of your new graphic backwards once and then slide into the 'Top Rail' then attach end-caps.



6. While carefully holding the graphic, remove the pin from the side of the system and gently allow the graphic to roll into the unit. **Return pin to foam holder on the underside of the system.**

The pin is stored in a foam holder on the underside of the system.

Image area: 86”(h) x 47”(w)

Ensure that all text and logos are kept within this area.

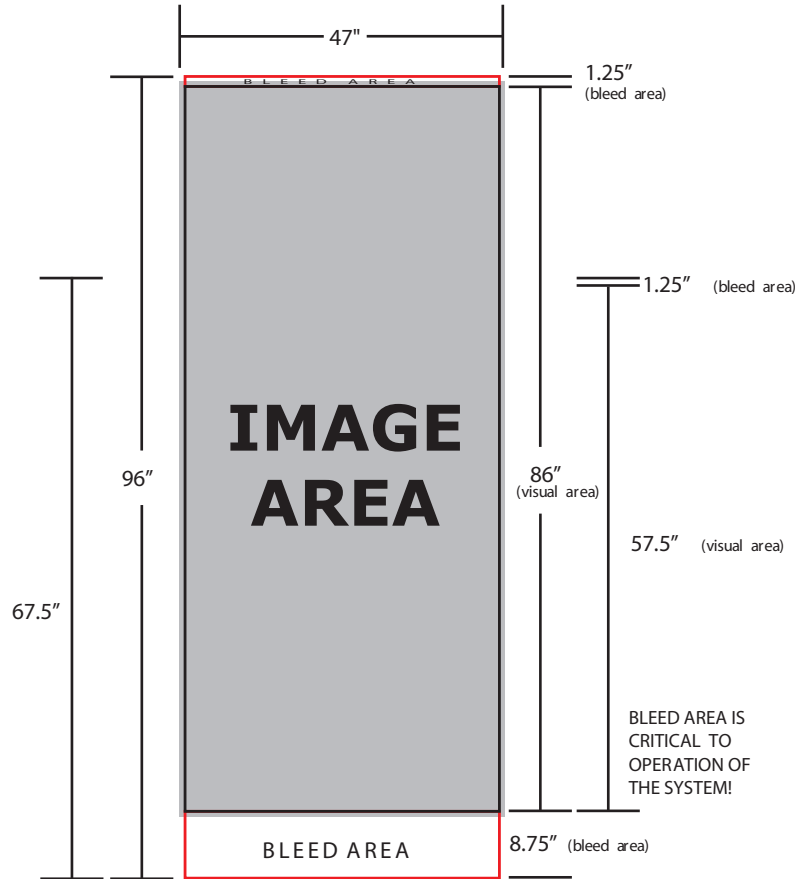
Bleed area(s):

These areas at the top and bottom are required for attaching the graphic to the hardware, and are not visible when erect.

For a clean finish on your display make sure any back ground colors or graphics bleed off into these areas.

Setup:

Make sure all images are at least 100dpi at full size. ExpoGraphics offers full Graphic Design Services if you require assistance in creating your artwork.



Changing the graphic

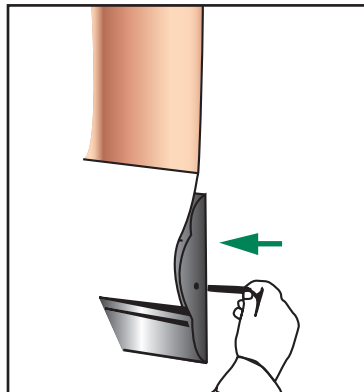
The PVC lead sheet has a two part micro hook and loop tape.

On first graphic application treat as double sided tape and do not separate the two parts.

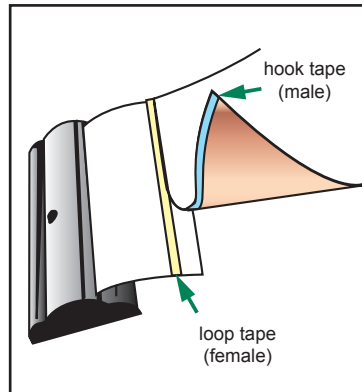
When applying a new graphic, peel existing graphic away from lead sheet leaving the loop on the lead sheet.

Apply new hook tape onto the new graphic and attach to the loop tape on the lead sheet.

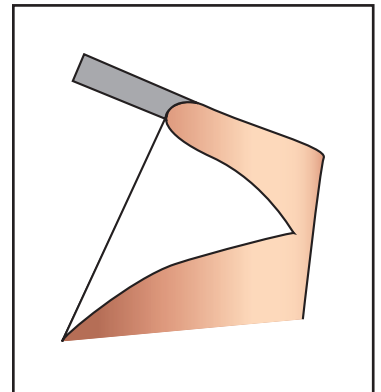
Hook tape is available from your local **EXPO Displays** distributor.



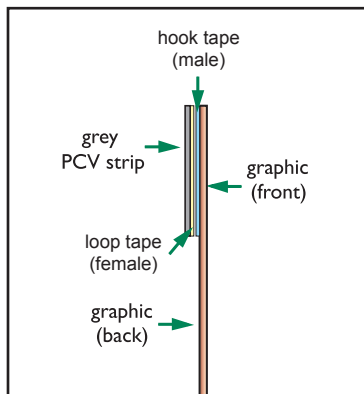
1. Pull the graphic panel completely from the system to expose the PVC tongue and graphic join. Place the pin into the side of the unit when the hole on the roller lines up with the hole in the end cap.



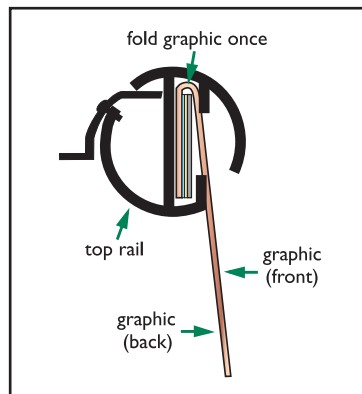
2. Carefully remove the existing graphic panel from the PVC tongue. Add 3/4" of new hook tape (male) to the base of your new graphic panel and then place in the same position.



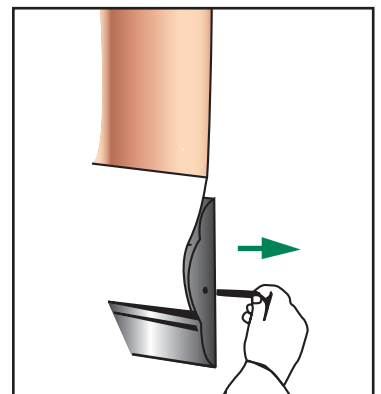
3. Slide the 'Top Rail' off the old graphic panel and then carefully remove the grey PVC strip (leaving loop tape attached) from your print.



4. Add 5/8" hook tape (male) to the top of your new graphic panel and then apply the existing grey PVC strip.



5. Fold the top of your new graphic backwards once and then slide into the 'Top Rail'.



6. While carefully holding the graphic, remove the pin from the side of the system and gently allow the graphic to roll into the unit. **Return pin to foam holder on the underside of the system.**

The pin is stored in a foam holder on the underside of the system.